



PRO SERIES

RATCHET LEVER HOIST IN G10

G10 Certified | Industrial Grade | Additional Lift Heights Available on Request

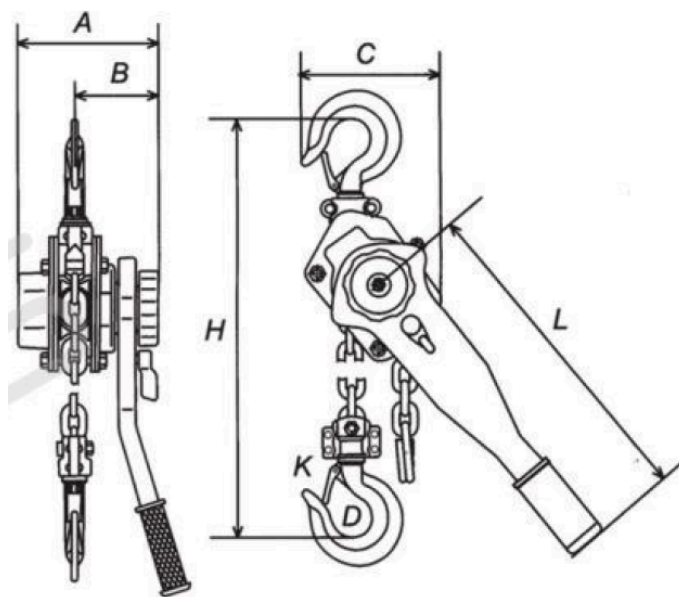
HEFFEN — BUILT FOR INDUSTRY

The Heffen® Pro Ratchet Lever Hoist is engineered for the toughest industrial applications. Safety, operability, and ruggedness are the top priorities, ensuring reliable performance across transportation, construction, civil engineering, and heavy industry.

- **G10 Grade Chain**
High-tensile G10 alloy steel chain delivers superior strength, long wear life, and corrosion resistance across all capacity models from 1.6 t to 9.0 t. All Chains are nickel plated against request
- **Reliable Mechanical Brake**
Weston-type mechanical brake ensures secure load holding at any position without slip or drift, even in demanding field conditions.
- **Compact & Robust Frame**
Rigid steel body with optimised dimensions designed for use in confined spaces. All internal components are fully protected by the enclosed housing.
- **Safety Hook Latches**
Forged hooks on both top and bottom with departure-prevention latches. Designed to resist deformation under overload conditions.
- **Wide Capacity Range**
Five models spanning 1.6 t to 9.0 t cover the full range of professional lifting and pulling requirements in a single product family.
- **Custom Lift Heights**
Standard 1.5 m height of lift across all models. Extended lift heights are available upon request with matching extra chain weights specified per metre.
- **Multiple Falls**
Higher-capacity models use multiple chain falls (2 falls at 6.3 t, 4 falls at 9.0 t) to maintain manageable hand-pull forces across the range.
- **Professional Applications**
Designed for transportation, bridge construction, civil engineering, shipbuilding, rigging, and forestry — wherever reliable portable lifting is needed.

All models feature a standard 1.5 m height of lift. Additional lift heights are available on request.

HEFFEN - PRO



| Capacity [t] | Standard Height of Lift [Mtr] | No of Falls** | Chain Dia X Pitch | Net Weight [Kg] | Weight for For Extra Chain per meter [Kg] |
|--------------|-------------------------------|---------------|-------------------|-----------------|---|
| 1.6 | 1.5 | 1 | 8 X 24 | 10 | 1.6 |
| 2.5 | 1.5 | 1 | 10 X 30 | 12 | 2.46 |
| 3.2 | 1.5 | 1 | 10 X 30 | 17.5 | 2.46 |
| 6.3 | 1.5 | 2 | 10 X 30 | 29 | 4.92 |
| 9.0 | 1.5 | 4 | 10 X 30 | 45 | 9.85 |

****Additional Height of Lift as per request will be available**

| Code | Capacity [t] | A | B | C | D | H | L | K | Article Number |
|----------|--------------|-----|-----|-----|----|-----|-----|----|----------------|
| HFNRLH16 | 1.6 | 172 | 98 | 160 | 44 | 380 | 410 | 34 | 8HFN0253 |
| HFNRLH25 | 2.5 | 200 | 115 | 180 | 50 | 480 | 410 | 38 | 8HFN0254 |
| HFNRLH32 | 3.2 | 200 | 115 | 180 | 50 | 480 | 410 | 38 | 8HFN0255 |
| HFNRLH63 | 6.3 | 200 | 115 | 235 | 64 | 600 | 410 | 48 | 8HFN0256 |
| HFNRLH90 | 9.0 | 200 | 115 | 330 | 85 | 700 | 410 | 57 | 8HFN0257 |