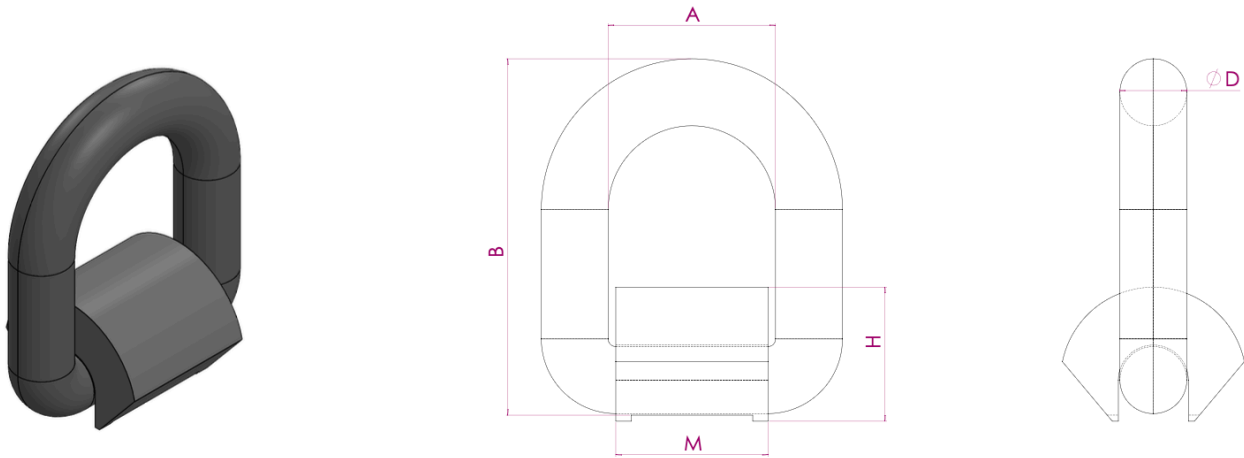




### Weld On D Ring

- Suitable for Alloy Steel Chains in Gr. 8
- Marking: CE
- Proof Load: 2 x Working Load Limit
- Safety Factor 4:1
- Finish: Powder Coated
- Do Not Exceed Working Load Limit

*\* dimensions & details are indicative and subject to change as per availability*



Code	WLL	A (±1)	B (±2)	D (±1)	M (±1)	H (±0.5)	Weight/ Pc	Article Number
	[ton]	[mm]					[Kg]	
HWDR0001	1.12	40	79	11	35	26	0.31	8HFN0246
HWDR0002	2	42	86	13	37	28	0.41	8HFN0247
HWDR0003	3.15	45	98	17	40	34	0.69	8HFN0248
HWDR0005	5.3	55	119	22	50	44	1.46	8HFN0249
HWDR0008	8	70	146	25	64	48	2.5	8HFN0250
HWDR0010	10	85	165	28	76	58	3.59	8HFN0251
HWDR0015	15	97	195	33	90	70	5.79	8HFN0252